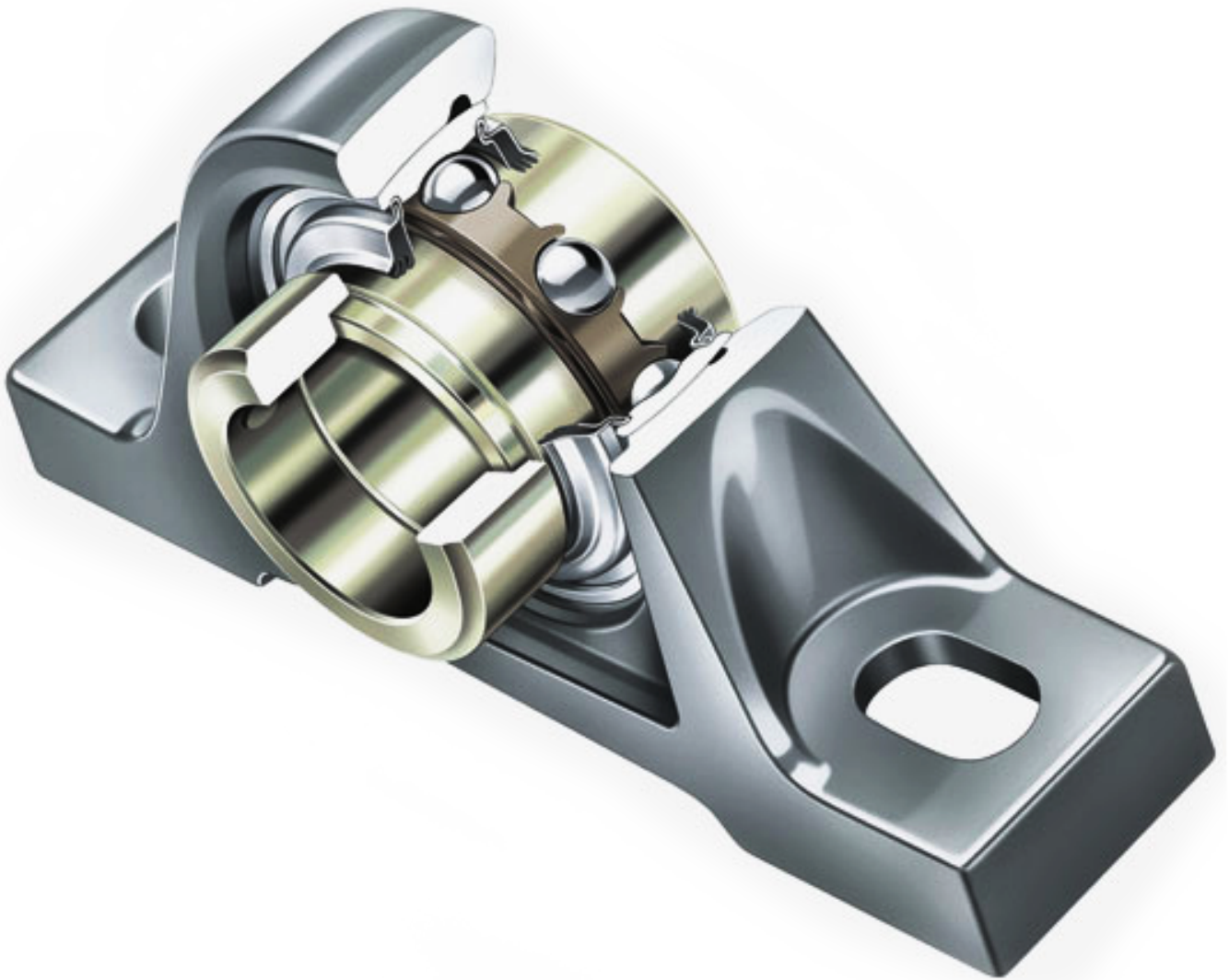


# TURNUP



**OUTER SPHERICAL BEARING**

**UCP PILLOW BLOCK UNITS**

12 mm to 90 mm (1/2 in. to 3 1/2 in.)



**UCF FOUR-BOLT FLANGED UNITS**

12 mm to 90 mm (1/2 in. to 3 1/2 in.)



**UCFL TWO-BOLT FLANGED UNITS**

12 mm to 90 mm (1/2 in. to 3 1/2 in.)



**UCFC PILOTED ROUND FLANGED UNITS**

12 mm to 90 mm (1/2 in. to 3 1/2 in.)



**UCT TAKE-UP UNITS**

12 mm to 85 mm (1/2 in. to 3 1/4 in.)

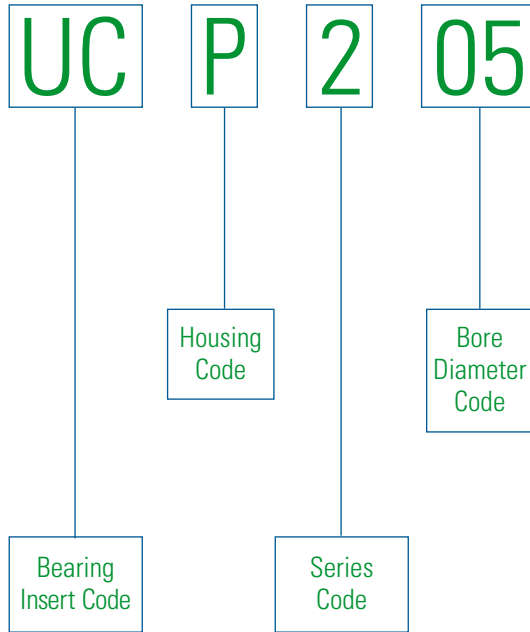


**UC WIDE INNER RING BALL BEARINGS**

12 mm to 90 mm (1/2 in. to 3 1/2 in.)



# NOMENCLATURE



BEARING INSERT CODE	HOUSING CODE	SERIES CODE
<b>UC</b> Cylindrical bore, spherical outer diameter, set screw locking mechanism	<b>P</b> Pillow block unit	<b>2</b> Standard industrial series
	<b>F</b> Four-bolt flanged unit	
	<b>FL</b> Two-bolt flanged unit	
	<b>T</b> Take-up unit	
	<b>FC</b> Piloted round flanged unit	

## CONFIGURATIONS TO MEET YOUR NEEDS

### BALL HOUSED UNITS

Standard series – wide inner ring, set screw locking mechanism

### HOUSING TYPES

Pillow block, two-bolt flange, four-bolt flange, piloted round flange and take-up

**METRIC BORE SIZES** 12 mm – 90 mm

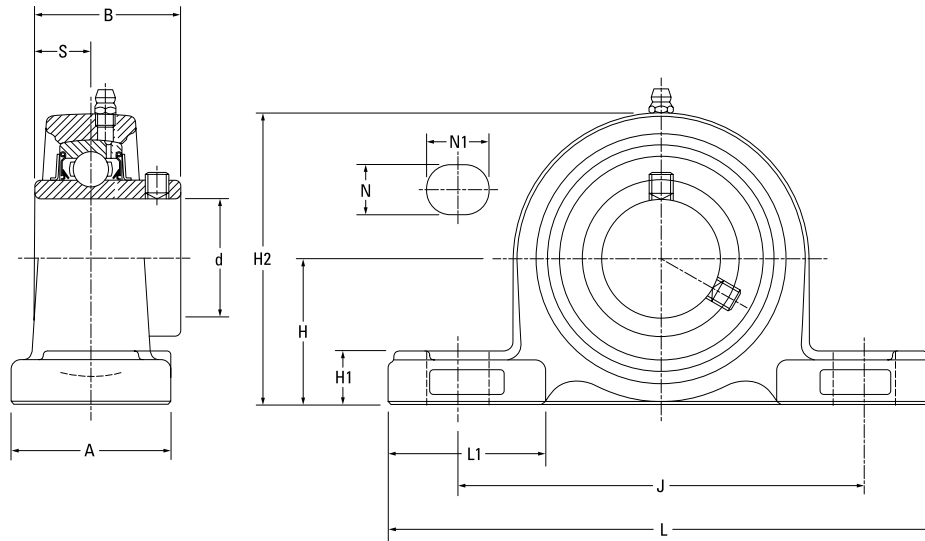
**INCH BORE SIZES** ½ in. – 3½ in.

BORE DIAMETER CODE METRIC	
01	Nominal bore diameter = 12 mm
02	Nominal bore diameter = 15 mm
03	Nominal bore diameter = 17 mm
04 or higher	Bore diameter (mm) = bore diameter code x 5
<b>Example:</b>	
<i>UCF201 = 12 mm bore (Four-bolt flanged unit)</i>	
<i>UCP211 = 55 mm bore (Pillow block unit)</i>	

BORE DIAMETER CODE IMPERIAL	
–8 or higher	Nominal bore diameter = bore diameter code/16
<b>Example:</b>	
<i>UCF201-8 = 8/16 in. or 1/2 in. bore (Four-bolt flanged unit)</i>	
<i>UCP205-16 = 16/16 in. or 1 in. bore (Pillow block unit)</i>	

Shaft Dia. d		Pillow block Designation	Bearing Designation	Basic Load Ratings		Dimensions											Bolt Size	Weight
				Dynamic C <sub>r</sub>	Static C <sub>0r</sub>	H	L	L1	A	H1	J	H2	S	B	N	N1		
mm	in.			kN lbs.	kN lbs.	mm in.	mm in.	mm in.	mm in.	mm in.	mm in.	mm in.	mm in.	mm in.	mm in.	mm in.	mm in.	kg lbs.
12		UCP201	UC201															
	1/2	UCP201-8	UC201-8	12.8 2878	6.65 1495	30.2 1 3/16	127 5	34.5 1 23/64	38 1 1/2	16 5/8	95 3 3/4	60 2 3/8	12.7 0.500	31 1.220	13 1/2	18 23/32	M10 3/8	0.6 1.3
15		UCP202	UC202															
	5/8	UCP202-10	UC202-10															
17		UCP203	UC203															
	3/4	UCP204-12	UC204-12	12.8 2878	6.65 1495	33.3 1 5/16	127 5	34.5 1 23/64	38 1 1/2	16 5/8	95 3 3/4	64.3 2 17/32	12.7 0.500	31 1.220	13 1/2	18 23/32	M10 3/8	0.7 1.5
20		UCP204	UC204															
	7/8	UCP205-14	UC205-14	14.0 3147	7.85 1765	36.5 1 7/16	140 5 1/2	37.5 1 31/64	38 1 1/2	16 5/8	105 4 1/8	70 2 49/64	14.3 0.563	34.1 1.343	13 1/2	18 23/32	M10 3/8	0.8 1.8
	15/16	UCP205-15	UC205-15															
25		UCP205	UC205															
	1	UCP205-16	UC205-16															
	1 1/8	UCP206-18	UC206-18	19.5 4384	11.3 2540	42.9 1 11/16	165 6 1/2	47.5 1 55/64	48 1 7/8	17 21/32	121 4 3/4	84 3 5/16	15.9 0.626	38.1 1.500	17 21/32	21 13/16	M14 1/2	1.3 2.9
30		UCP206	UC206															
	1 3/16	UCP206-19	UC206-19															
	1 1/4	UCP206-20	UC206-20															
	1 1/4	UCP207-20	UC207-20	25.7 5778	15.4 3462	47.6 1 7/8	167 6 9/16	46.5 1 53/64	48 1 7/8	18 23/32	127 5	94.6 3 23/32	17.5 0.689	42.9 1.689	17 21/32	21 13/16	M14 1/2	1.6 3.5
	1 5/16	UCP207-21	UC207-21															
	1 3/8	UCP207-22	UC207-22															
35		UCP207	UC207															
	1 7/16	UCP207-23	UC207-23															
	1 1/2	UCP208-24	UC208-24	29.1 6542	17.8 4002	49.2 1 15/16	184 7 1/4	53 2 3/32	54 2 1/8	18 23/32	137 5 13/32	98 3 27/32	19 0.748	49.2 1.937	17 21/32	21 13/16	M14 1/2	2.0 4.4
	1 9/16	UCP208-25	UC208-25															
40		UCP208	UC208															
	1 5/8	UCP209-26	UC209-26	34.1 7666	21.3 4788	54 2 1/8	190 7 15/32	55 2 3/32	54 2 1/8	20 25/32	146 5 3/4	106 4 3/16	19 0.748	49.2 1.937	17 21/32	21 13/16	M14 1/2	2.2 4.9
	1 11/16	UCP209-27	UC209-27															
	1 3/4	UCP209-28	UC209-28															
45		UCP209	UC209															

Continued on next page.

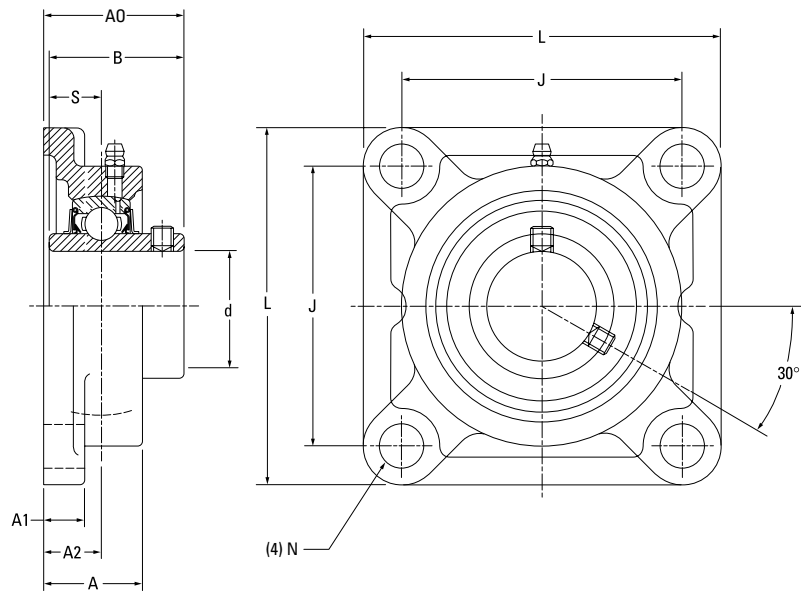


Continued from previous page.

Shaft Dia. d	Pillow block Designation	Bearing Designation	Basic Load Ratings		Dimensions												Bolt Size	Weight
			Dynamic C <sub>r</sub>	Static C <sub>0r</sub>	H	L	L1	A	H1	J	H2	S	B	N	N1			
mm in.			kN lbs.	kN lbs.	mm in.	mm in.	mm in.	mm in.	mm in.	mm in.	mm in.	mm in.	mm in.	mm in.	mm in.	mm in.	mm in.	kg lbs.
50	1 7/8	UCP210-30	35.1 7891	23.3 5238	57.2 2 1/4	206 8 1/8	60 2 3/8	60 2 3/8	21 13/16	159 6 1/4	113 4 7/16	19 0.748	51.6 2.031	20 25/32	22 7/8	M16 5/8	2.9 6.4	
	1 15/16	UCP210-31																UC210-31
	2	UCP210																UC210
55	2	UCP210-32	43.4 9757	29.4 6609	63.5 2 1/2	219 8 5/8	64.5 2 35/64	60 2 3/8	23 29/32	171 6 23/32	125 4 29/32	22.2 0.874	55.6 2.189	20 25/32	22 7/8	M16 5/8	3.6 7.9	
	2	UCP211-32																UC211-32
	2 1/8	UCP211-34																UC211-34
60	2 3/16	UCP211-35	52.4 11780	36.2 8138	69.8 2 3/4	241 9 1/2	72.5 2 55/64	70 2 3/4	25 31/32	184 7 1/4	138 5 7/16	25.4 1.000	65.1 2.563	20 25/32	25 31/32	M16 5/8	4.9 10.8	
	2 7/16	UCP212-39																UC212-39
	2 1/2	UCP212-36																UC212-36
65	2 3/8	UCP212-38	57.2 12859	40.1 9015	76.2 3	265 10 7/16	78 3 1/16	70 2 3/4	27 1 1/16	203 8	150 5 29/32	25.4 1.000	65.1 2.563	35 31/32	30 1 3/16	M20 3/4	5.9 13.0	
	2 7/8	UCP213-40																UC213-40
	3	UCP213																UC213
70	2 3/4	UCP214-44	62.2 13983	44.1 9914	79.4 3 1/8	266 10 15/32	75 2 61/64	72 2 27/32	27 1 1/16	210 8 9/32	156 6 5/32	30.2 1.189	74.6 2.937	25 31/32	30 1 3/16	M20 3/4	6.8 15.0	
	2 15/16	UCP214-44																UC214-44
	3	UCP214																UC214
75	2 15/16	UCP215-47	67.4 15152	48.3 10858	82.6 3 1/4	275 10 13/16	77.5 3 3/64	74 2 29/32	28 1 7/64	217 8 17/32	162 6 3/8	33.3 1.311	77.8 3.063	25 31/32	30 1 3/16	M20 3/4	7.4 16.3	
	3	UCP215																UC215
	3 1/8	UCP215-48																UC215-48
80	3 1/8	UCP216-50	72.7 16344	53.0 11915	88.9 3 1/2	292 11 1/2	83 3 17/64	78 3 1/16	30 1 3/16	232 9 1/8	174 6 27/32	33.3 1.311	82.6 3.252	25 31/32	35 1 3/8	M20 3/4	9.0 19.8	
	3 1/4	UCP216																UC216
85	3 1/4	UCP217-52	84.0 18884	61.9 13916	95.2 3 3/4	310 12 7/32	87 3 27/64	83 3 9/32	32 1 1/4	247 9 23/32	185 7 9/32	34.1 1.343	85.7 3.374	25 31/32	40 1 9/16	M20 3/4	10.8 23.8	
	3 1/2	UCP217																UC217
90	3 1/2	UCP218-56	96.1 21604	71.5 16074	101.6 4	327 12 7/8	94 3 45/64	88 3 15/32	33 1 19/64	262 10 9/16	198 7 25/32	39.7 1.563	96 3.780	27 1 1/16	45 1 25/32	M22 7/8	13.9 30.6	
	4	UCP218																UC218

Shaft Dia. d		Four-Bolt Flange Designation	Bearing Designation	Basic Load Ratings		Dimensions									Bolt Size	Weight
				Dynamic C <sub>r</sub>	Static C <sub>0r</sub>	L	J	A1	A	A0	S	B	A2	N		
mm	in.			kN lbs.	kN lbs.	mm in.	mm in.	mm in.	mm in.	mm in.	mm in.	mm in.	mm in.	mm in.	mm in.	kg lbs.
12		UCF201	UC201	12.8 2878	6.65 1495	86 3 3/8	64 2 33/64	11 7/16	25.5 1	33.3 1 5/16	12.7 0.500	31 1.220	15 19/32	12 15/32	M10 3/8	0.6 1.4
	1/2	UCF201-8	UC201-8													
15		UCF202	UC202													
	5/8	UCF202-10	UC202-10													
17		UCF203	UC203	14.0 3147	7.85 1765	95 3 3/4	70 2 3/4	13 1/2	27 1 1/16	35.8 1 13/32	14.3 0.563	34.1 1.343	16 5/8	12 15/32	M10 3/8	0.8 1.8
	3/4	UCF-204-12	UC204-12													
20		UCF-204	UC204													
	7/8	UCF205-14	UC205-14													
	15/16	UCF205-15	UC205-15													
25		UCF205	UC205	19.5 4384	11.3 2540	108 4 1/4	83 3 17/64	13 1/2	31 1 7/32	40.2 1 19/32	15.9 0.626	38.1 1.500	18 45/64	12 15/32	M10 3/8	1.2 2.6
	1	UCF205-16	UC205-16													
	1 1/8	UCF206-18	UC206-18													
30		UCF206	UC206													
	1 3/16	UCF206-19	UC206-19													
	1 1/4	UCF206-20	UC206-20	25.7 5778	15.4 3462	117 4 19/32	92 3 5/8	15 19/32	34 1 11/32	44.4 1 3/4	17.5 0.689	42.9 1.689	19 3/4	14 35/64	M12 7/16	1.5 3.3
	1 1/4	UCF207-20	UC207-20													
	1 5/16	UCF207-21	UC207-21													
	1 3/8	UCF207-22	UC207-22													
35		UCF207	UC207	29.1 6542	17.8 4002	130 5 1/8	102 4 1/64	15 19/32	36 1 13/32	51.2 2 1/32	19 0.748	49.2 1.937	21 53/64	16 5/8	M14 1/2	1.9 4.2
	1 7/16	UCF207-23	UC207-23													
	1 1/2	UCF208-24	UC208-24													
	1 9/16	UCF208-25	UC208-25													
40		UCF208	UC208	34.1 7666	21.3 4788	137 5 13/32	105 4 9/64	16 5/8	38 1 1/2	52.2 2 1/16	19 0.748	49.2 1.937	22 55/64	16 5/8	M14 1/2	2.2 4.9
	1 5/8	UCF209-26	UC209-26													
	1 11/16	UCF209-27	UC209-27													
	1 3/4	UCF209-28	UC209-28													
45		UCF209	UC209													

Continued on next page.



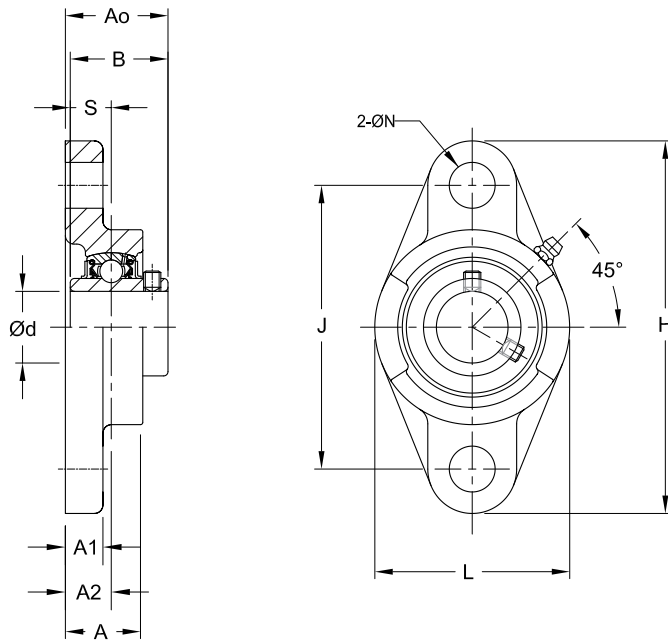
Continued from previous page.

Shaft Dia. d	Four-Bolt Flange Designation	Bearing Designation	Basic Load Ratings		Dimensions									Bolt Size	Weight	
			Dynamic C <sub>r</sub>	Static C <sub>0r</sub>	L	J	A1	A	A0	S	B	A2	N			
mm	in.		kN lbs.	kN lbs.	mm in.	mm in.	mm in.	mm in.	mm in.	mm in.	mm in.	mm in.	mm in.	mm in.	mm in.	kg lbs.
50	1 7/8	UCF210-30	35.1 7891	23.3 5238	143 5 5/8	111 4 3/8	16 5/8	40 1 9/16	54.6 2 5/32	19 0.748	51.6 2.031	22 55/64	16 5/8	M14 1/2	2.5 5.5	
	1 15/16	UCF210-31														UC210-31
	2	UCF210														UC210
55	2	UCF210-32	43.4 9757	29.4 6609	162 6 3/8	130 5 1/8	18 23/32	43 1 11/16	58.4 2 5/16	22.2 0.874	55.6 2.189	25 63/64	19 3/4	M16 5/8	3.4 7.5	
	2	UCF211-32														UC211-32
	2 1/8	UCF211-34														UC211-34
60	2 3/16	UCF211-35	52.4 11780	36.2 8138	175 6 7/8	143 5 5/8	18 23/32	48 1 7/8	68.7 2 23/32	25.4 1.000	65.1 2.563	29 1 9/64	19 3/4	M16 5/8	4.2 9.3	
	2 1/4	UCF212-36														UC212-36
	2 3/8	UCF212-38														UC212-38
65	2 7/16	UCF212-39	57.2 12859	40.1 9015	187 7 3/8	149 5 55/64	22 7/8	50 1 31/32	69.7 2 3/4	25.4 1.000	65.1 2.563	30 1 3/16	19 3/4	M16 5/8	5.2 11.5	
	2 1/2	UCF213-40														UC213-40
	2 3/4	UCF214-44														UC214-44
70	2 7/8	UCF214	62.2 13983	44.1 9914	193 7 19/32	152 5 63/64	22 7/8	54 2 1/8	75.4 2 31/32	30.2 1.189	74.6 2.937	31 1 7/32	19 3/4	M16 5/8	5.9 13.0	
	2 3/4	UCF215														UC215
	2 15/16	UCF215-47														UC215-47
75	3	UCF215-48	67.4 15152	48.3 10858	200 7 7/8	159 6 17/64	22 7/8	56 2 7/32	78.5 3 3/32	33.3 1.311	77.8 3.0603	34 1 11/32	19 3/4	M16 5/8	6.4 14.1	
	3 1/8	UCF216-50														UC216-50
	3 1/4	UCF217-52														UC217-52
80	3 1/4	UCF217	84.0 18884	61.9 13916	220 8 21/32	175 6 57/64	24 15/16	63 2 15/32	87.6 3 7/16	34.1 1.343	85.7 3.374	36 1 13/32	23 29/32	M20 3/4	8.9 19.6	
	3 1/2	UCF218-56														UC218-56
90	3 1/2	UCF218	96.1 21604	71.5 16074	235 9 1/4	187 7 23/64	25 31/32	68 2 11/16	96.3 3 25/32	39.7 1.563	96 3.780	40 1 9/16	23 29/32	M20 3/4	11.4 25.1	

Shaft Dia. d		Two-Bolt Flange Designation	Bearing Designation	Basic Load Ratings		Dimensions										Bolt Size	Weight
				Dynamic C <sub>r</sub>	Static C <sub>0r</sub>	H	J	A1	A	A0	L	A2	S	B	N		
mm	in.			kN lbs.	kN lbs.	mm in.	mm in.	mm in.	mm in.	mm in.	mm in.	mm in.	mm in.	mm in.	mm in.	mm in.	kg lbs.
12		UCFL201	UC201	12.8 2878	6.65 1495	113 4 7/16	90 3 35/64	11 7/16	25.5 1	33.3 1 5/16	60 2 3/8	15 19/32	12.7 0.500	31 1.220	12 15/32	M10 3/8	0.5 1.1
	1/2	UCFL201-8	UC201-8														
15		UCFL202	UC202														
	5/8	UCFL202-10	UC202-10														
17		UCFL203	UC203	14.0 3147	7.85 1765	130 5 1/8	99 3 57/64	13 1/2	27 1 1/16	35.8 1 13/32	68 2 11/16	16 5/8	14.3 0.563	34.1 1.343	16 5/8	M14 1/2	0.6 1.4
	3/4	UCFL204-12	UC204-12														
20		UCFL204	UC204														
	7/8	UCFL205-14	UC205-14														
	15/16	UCFL205-15	UC205-15														
25		UCFL205	UC205	19.5 4384	11.3 2540	148 5 13/16	117 4 39/64	13 1/2	31 1 7/32	40.2 1 19/32	80 3 5/32	18 45/64	15.9 0.626	38.1 1.500	16 5/8	M14 1/2	1.0 2.1
	1	UCFL205-16	UC205-16														
	1 1/8	UCFL206-18	UC206-18														
30		UCFL206	UC206														
	1 3/16	UCFL206-19	UC206-19														
	1 1/4	UCFL206-20	UC206-20														
	1 1/4	UCFL207-20	UC207-20	25.7 5778	15.4 3462	161 6 11/32	130 5 1/8	14 9/16	34 1 11/32	44.4 1 3/4	90 3 17/32	19 3/4	17.5 0.689	42.9 1.689	16 5/8	M14 1/2	1.2 2.6
	1 5/16	UCFL207-21	UC207-21														
	1 3/8	UCFL207-22	UC207-22														
35		UCFL207	UC207														
	1 7/16	UCFL207-23	UC207-23														
	1 1/2	UCFL208-24	UC208-24	29.1 6542	17.8 4002	175 6 7/8	144 5 43/64	14 9/16	36 1 13/32	51.2 2 1/32	100 3 15/16	21 53/64	19 0.748	49.2 1.937	16 5/8	M14 1/2	1.6 3.5
	1 9/16	UCFL208-25	UC208-25														
40		UCFL208	UC208														
	1 5/8	UCFL209-26	UC209-26														
	1 11/16	UCFL209-27	UC209-27	34.1 7666	21.3 4788	188 7 13/32	148 5 53/64	15 19/32	38 1 1/2	52.2 2 1/16	108 4 1/4	22 55/64	19 0.748	49.2 1.937	19 3/4	M16 5/8	1.9 4.2
	1 3/4	UCFL209-28	UC209-28														
45		UCFL209	UC209														

Continued on next page.



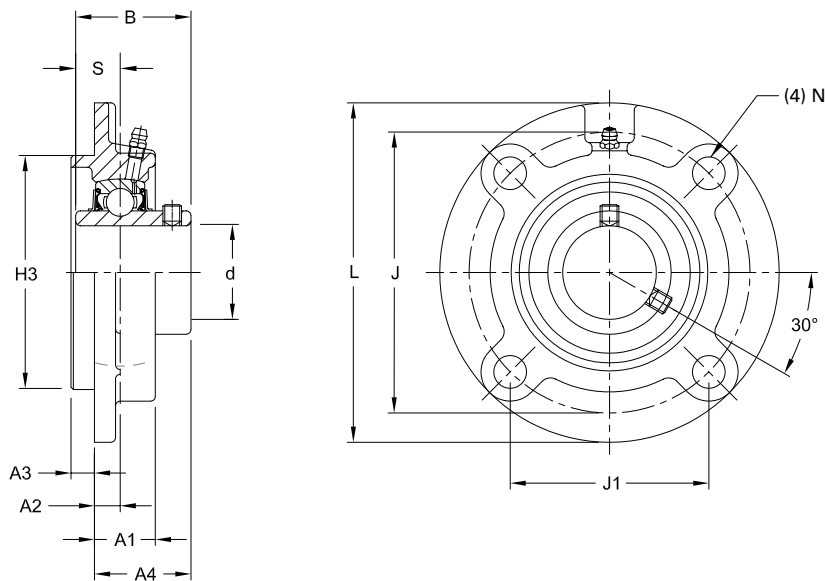


Continued from previous page.

Shaft Dia. d		Two-Bolt Flange Designation	Bearing Designation	Basic Load Ratings		Dimensions										Bolt Size	Weight
				Dynamic C <sub>r</sub>	Static C <sub>0r</sub>	H	J	A1	A	A0	L	A2	S	B	N		
mm	in.			kN lbs.	kN lbs.	mm in.	mm in.	mm in.	mm in.	mm in.	mm in.	mm in.	mm in.	mm in.	mm in.	mm in.	kg lbs.
50	1 7/8	UCFL210-30	UC210-30	35.1 7891	23.3 5238	197 7 3/4	157 6 3/16	15 19/32	40 1 9/16	54.6 2 5/32	115 4 17/32	22 55/64	19 0.748	51.6 2.031	19 3/4	M16 5/8	2.2 4.9
	1 15/16	UCFL210-31	UC210-31														
		UCFL210	UC210														
55	2	UCFL210-32	UC210-32	43.4 9757	29.4 6609	224 8 13/16	184 7 1/4	18 23/32	43 1 11/16	58.4 2 5/16	130 5 1/8	25 63/64	22.2 0.874	55.6 2.189	19 3/4	M16 5/8	3.3 7.3
	2	UCFL211-32	UC211-32														
	2 1/8	UCFL211-34	UC211-34														
60	2 3/16	UCFL211-35	UC211-35	52.4 11780	36.2 8138	250 9 27/32	202 7 61/64	18 23/32	48 1 7/8	68.7 2 23/32	140 5 1/2	29 1 9/64	25.4 1.000	65.1 2.563	23 29/32	M20 3/4	4.2 9.3
	2 1/4	UCFL212-36	UC212-36														
	2 3/8	UCFL212-38	UC212-38														
65	2 7/16	UCFL212-39	UC212-39	57.2 12859	40.1 9015	258 10 5/32	210 8 17/64	20 25/32	50 1 31/32	69.7 2 3/4	155 6 3/32	30 1 3/16	25.4 1.00	65.1 2.563	23 29/32	M20 3/4	5.1 11.2
	2 1/2	UCFL213-40	UC213-40														
		UCFL213	UC213														
70	2 3/4	UCFL214-44	UC214-44	62.2 13983	44.1 9914	265 10 7/16	216 8 1/2	20 25/32	54 2 1/8	75.4 2 31/32	160 6 5/16	31 1 7/32	30.2 1.189	74.6 2.937	23 29/32	M20 3/4	5.7 12.6
		UCFL214	UC214														
	2 15/16	UCFL215-47	UC215-47														
75		UCFL215	UC215	67.4 15152	48.3 10858	275 12 13/16	225 8 55/64	20 25/32	56 2 7/32	78.5 3 3/32	165 6 1/2	34 1 11/32	33.3 1.311	77.8 3.063	23 29/32	M20 3/4	6.4 14.1
	3	UCFL215-48	UC215-48														
	3 1/8	UCFL216-50	UC216-50														
80		UCFL216	UC216	72.7 16344	53 11915	290 11 13/32	233 9 11/64	20 25/32	58 2 9/32	83.3 3 9/32	180 7 3/32	34 1 11/32	33.3 1.311	82.6 3.252	25 63/64	M22 7/8	7.8 17.2
	3 1/4	UCFL217-52	UC217-52														
85		UCFL217	UC217	84 18884	61.9 13916	305 12	248 9 49/64	22 7/8	63 2 15/32	87.6 3 7/16	190 7 15/32	36 1 27/64	34.1 1.343	85.7 3.374	25 63/64	M22 7/8	9.8 21.6
	3 1/2	UCFL218-56	UC218-56														
90		UCFL218	UC218	96.1 21604	71.5 16074	320 12 19/32	265 10 7/16	23 29/32	68 2 11/16	96.3 3 25/32	205 8 1/16	40 1 37/64	39.7 1.563	96 3.78	25 63/64	M22 7/8	12.3 27.1

Shaft Dia. d		Round Flange Cartridge Designation	Bearing Designation	Basic Load Ratings		Dimensions											Bolt Size	Weight
				Dynamic	Static	L	J	J1	A1	A2	A3	A4	H3	S	B	N		
				C <sub>r</sub>	C <sub>0r</sub>													
mm	in.		kN lbs.	kN lbs.	mm in.	mm in.	mm in.	mm in.	mm in.	mm in.	mm in.	mm in.	mm in.	mm in.	mm in.	mm in.	mm in.	kg lbs.
12		UCFC201	UC201	12.80 2878	6.65 1495	100 3 15/16	78 3 5/8	55.1 2 11/64	20.5 13/16	10 25/64	5 13/64	28.3 1 1/8	62 2.441	12.7 0.500	31 1.220	12 15/32	M10 3/8	0.7 1.5
	1/2	UCFC201-8	UC201-8															
15		UCFC202	UC202	12.80 2878	6.65 1495	100 3 15/16	78 3 5/8	55.1 2 11/64	20.5 13/16	10 25/64	5 13/64	28.3 1 1/8	62 2.441	12.7 0.500	31 1.220	12 15/32	M10 3/8	0.7 1.5
	5/8	UCFC202-10	UC202-10															
17		UCFC203	UC203	12.80 2878	6.65 1495	100 3 15/16	78 3 5/8	55.1 2 11/64	20.5 13/16	10 25/64	5 13/64	28.3 1 1/8	62 2.441	12.7 0.500	31 1.220	12 15/32	M10 3/8	0.7 1.5
	3/4	UCFC204-12	UC204-12															
20		UCFC204	UC204	14.00 3147	7.85 1765	115 4 17/32	90 3 35/64	63.6 2 1/2	21 13/16	10 25/64	6 15/64	29.8 1 3/16	70 2.756	14.3 0.563	34.1 1.343	12 15/32	M10 3/8	1.0 2.2
	7/8	UCFC205-14	UC205-14															
25		UCFC205	UC205	14.00 3147	7.85 1765	115 4 17/32	90 3 35/64	63.6 2 1/2	21 13/16	10 25/64	6 15/64	29.8 1 3/16	70 2.756	14.3 0.563	34.1 1.343	12 15/32	M10 3/8	1.0 2.2
	15/16	UCFC205-15	UC205-15															
30		UCFC206	UC206	19.50 4384	11.30 2540	125 4 29/32	100 3 15/16	70.7 2 25/32	23 29/32	10 25/64	8 9/16	32.2 1 9/32	80 3.150	15.9 0.626	38.1 1.500	12 15/32	M10 3/8	1.3 2.9
	1 1/8	UCFC206-18	UC206-18															
35		UCFC207	UC207	25.70 5778	15.40 3462	135 5 5/16	110 4 21/64	77.8 3 1/16	26 1 1/32	11 7/16	8 9/16	36.4 1 7/16	90 3.543	17.5 0.689	42.9 1.689	14 35/64	M12 7/16	1.7 3.7
	1 1/4	UCFC207-20	UC207-20															
40		UCFC208	UC208	29.10 6542	17.80 4002	145 5 23/32	120 4 23/32	84.8 3 11/32	26 1 1/32	11 7/16	10 25/64	41.2 1 5/8	100 3.937	19 0.748	49.2 1.937	14 35/64	M12 7/16	2.0 4.4
	1 1/2	UCFC208-24	UC208-24															
45		UCFC209	UC209	34.10 7666	21.30 4788	160 6 5/16	132 5 13/64	93.3 3 43/64	26 1 1/32	10 25/64	12 15/32	40.2 1 19/32	105 4.134	19 0.748	49.2 1.937	16 5/8	M14 1/2	2.6 5.7
	1 3/4	UCFC209-28	UC209-28															

Continued on next page.

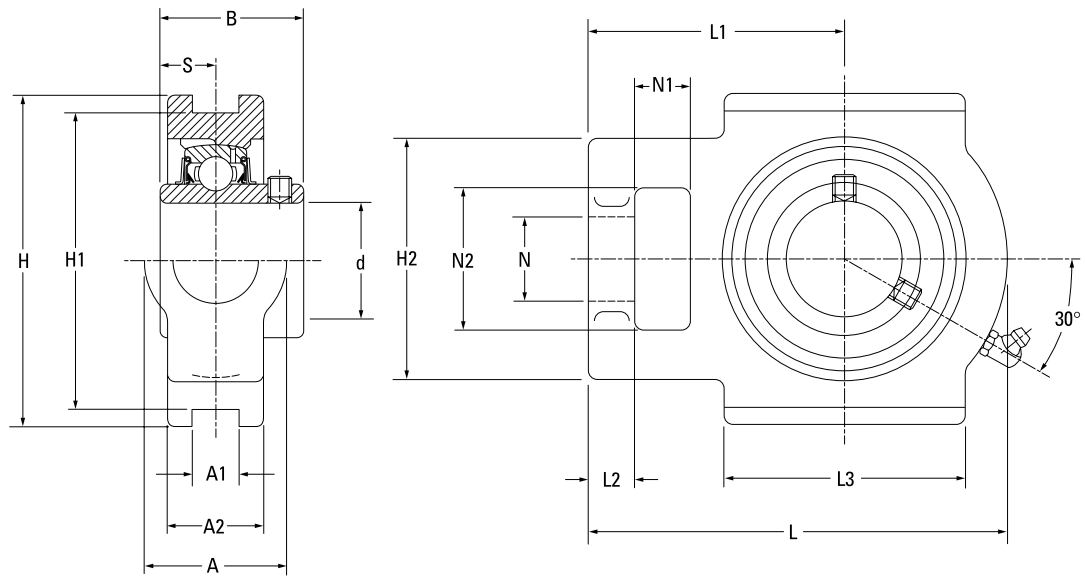


Continued from previous page.

Shaft Dia. d	Round Flange Cartridge Designation	Bearing Designation	Basic Load Ratings		Dimensions												Bolt Size	Weight
			Dynamic C <sub>r</sub>	Static C <sub>0r</sub>	L	J	J1	A1	A2	A3	A4	H3	S	B	N			
mm	in.		kN lbs.	kN lbs.	mm in.	mm in.	mm in.	mm in.	mm in.	mm in.	mm in.	mm in.	mm in.	mm in.	mm in.	mm in.	mm in.	kg lbs.
50	1 7/8	UCFC210-30	35.10 7891	23.30 5238	165 6 1/2	138 5 7/16	97.6 3 27/32	28 1 3/32	10 25/64	12 15/32	42.6 1 11/16	110 4.331	19 0.748	51.6 2.031	16 5/8	M14	2.9 6.4	
	1 15/16	UCFC210-31																UC210-31
	2	UCFC210																UC210
55	2	UCFC210-32	43.40 9757	29.40 6609	185 7 9/32	150 5 29/32	106.1 4 11/64	31 1 7/32	13 33/64	12 15/32	46.4 1 13/16	125 4.921	22.2 0.874	55.6 2.189	19 3/4	M16	4.2 9.3	
	2	UCFC211-32																UC211-32
	2 1/8	UCFC211-34																UC211-34
60	2 3/16	UCFC211-35	52.40 11780	36.20 8138	195 7 11/16	160 6 19/64	113.1 4 29/64	36 1 13/32	17 43/64	12 15/32	56.7 2 7/32	135 5.315	25.4 1.000	65.1 2.563	19 3/4	M16	5.0 11.0	
	2 1/4	UCFC212-36																UC212-36
	2 3/8	UCFC212-38																UC212-38
65	2 7/16	UCFC212-39	57.20 12859	40.10 9015	205 8 1/16	170 6 11/16	120.2 4 47/64	36 1 13/32	16 5/8	14 35/64	55.7 2 3/16	145 5.709	25.4 1.000	65.1 2.563	19 3/4	M16	5.6 12.3	
	2 1/2	UCFC213-40																UC213-40
	2 3/4	UCFC214-44																UC214-44
70	2 7/8	UCFC214	62.20 13983	44.10 9914	215 8 15/32	177 6 31/32	125.1 4 59/64	40 1 9/16	17 43/64	14 35/64	61.4 2 13/32	150 5.906	30.2 1.189	74.6 2.937	19 3/4	M16	6.8 15.0	
	2 15/16	UCFC215-47																UC215-47
	3	UCFC215																UC215
75	3	UCFC215-48	67.40 15152	48.30 10858	220 8 21/32	184 7 1/4	130.1 5 1/8	40 1 9/16	18 45/64	16 5/8	62.5 2 15/32	160 6.299	33.3 1.311	77.8 3.063	19 3/4	M16	7.2 15.9	
	3 1/8	UCFC216-50																UC216-50
	3 1/4	UCFC216																UC216
80	3 1/2	UCFC217-52	84.00 18884	61.90 13916	250 9 27/32	208 8 3/16	147.1 5 51/64	45 1 25/32	18 45/64	18 45/64	69.6 2 3/4	180 7.086	34.1 1.343	85.7 3.374	23 29/32	M20	11.7 25.8	
	3 3/4	UCFC217																UC217
	3 1/2	UCFC218-56																UC218-56
90	4	UCFC218	96.10 21604	71.50 16074	265 10 7/16	220 8 21/32	155.5 6 1/8	50 1 31/32	22 55/64	18 45/64	78.3 3 3/32	190 7.480	39.7 1.563	96 3.78	23 29/32	M20	14.8 32.6	

Shaft Dia. d		Take-Up Unit Designation	Bearing Designation	Basic Load Ratings		Dimensions															Weight
				Dynamic C <sub>r</sub>	Static C <sub>0r</sub>	H	H1	L2	L1	A2	A	N	L	H2	S	B	L3	N1	N2	A1	
mm	in.			kN lbs.	kN lbs.	mm in.	mm in.	mm in.	mm in.	mm in.	mm in.	mm in.	mm in.	mm in.	mm in.	mm in.	mm in.	mm in.	mm in.	mm in.	kg lbs.
12		UCT201	UC201	12.8 2878	6.65 1495	89 3 1/2	76 2 63/64	10 13/32	61 2 13/32	21 13/16	32 1 1/4	19 3/4	94 3 11/16	51 2	12.7 0.500	31 1.220	51 2	16 5/8	32 1 1/4	12 15/32	0.8 1.8
	1/2	UCT201-8	UC201-8																		
15	5/8	UCT202-10	UC202-10	12.8 2878	6.65 1495	89 3 1/2	76 2 63/64	10 13/32	61 2 13/32	21 13/16	32 1 1/4	19 3/4	94 3 11/16	51 2	12.7 0.500	31 1.220	51 2	16 5/8	32 1 1/4	12 15/32	0.8 1.8
		UCT202	UC202																		
17	3/4	UCT203-12	UC203-12	12.8 2878	6.65 1495	89 3 1/2	76 2 63/64	10 13/32	61 2 13/32	21 13/16	32 1 1/4	19 3/4	94 3 11/16	51 2	12.7 0.500	31 1.220	51 2	16 5/8	32 1 1/4	12 15/32	0.8 1.8
		UCT203	UC203																		
20	7/8	UCT204-14	UC204-14	14 3147	7.85 1765	89 3 1/2	76 2 63/64	10 13/32	62 2 7/16	24 15/16	32 1 1/4	19 3/4	97 3 13/16	51 2	14.3 0.563	34.1 1.343	51 2	16 5/8	32 1 1/4	12 15/32	0.8 1.9
	15/16	UCT204	UC204																		
25	1	UCT205-16	UC205-16	14 3147	7.85 1765	89 3 1/2	76 2 63/64	10 13/32	62 2 7/16	24 15/16	32 1 1/4	19 3/4	97 3 13/16	51 2	14.3 0.563	34.1 1.343	51 2	16 5/8	32 1 1/4	12 15/32	0.8 1.9
	1 1/8	UCT205	UC205																		
30	1 1/8	UCT206-18	UC206-18	19.5 4384	11.3 2540	102 4 1/32	89 3 1/2	10 13/32	70 2 3/4	28 1 3/32	37 1 15/32	22 7/8	113 4 7/16	56 2 7/32	15.9 0.626	38.1 1.500	57 2 1/4	16 5/8	37 1 15/32	12 15/32	1.3 2.9
	1 3/16	UCT206	UC206																		
35	1 1/4	UCT206-19	UC206-19	19.5 4384	11.3 2540	102 4 1/32	89 3 1/2	10 13/32	70 2 3/4	28 1 3/32	37 1 15/32	22 7/8	113 4 7/16	56 2 7/32	15.9 0.626	38.1 1.500	57 2 1/4	16 5/8	37 1 15/32	12 15/32	1.3 2.9
	1 1/4	UCT206-20	UC206-20																		
40	1 1/4	UCT207-20	UC207-20	25.7 5778	15.4 3462	102 4 1/32	89 3 1/2	13 1/2	78 3 1/16	30 1 3/16	37 1 15/32	22 7/8	129 5 3/32	64 2 17/32	17.5 0.689	42.9 1.689	64 2 17/32	16 5/8	37 1 15/32	12 15/32	1.6 3.5
	1 5/16	UCT207-21	UC207-21																		
45	1 3/8	UCT207-22	UC207-22	25.7 5778	15.4 3462	102 4 1/32	89 3 1/2	13 1/2	78 3 1/16	30 1 3/16	37 1 15/32	22 7/8	129 5 3/32	64 2 17/32	17.5 0.689	42.9 1.689	64 2 17/32	16 5/8	37 1 15/32	12 15/32	1.6 3.5
		UCT207	UC207																		
50	1 7/16	UCT207-23	UC207-23	29.1 6542	17.8 4002	114 4 1/2	102 4 1/64	16 5/8	88 3 15/32	33 1 5/16	49 1 15/16	29 1 5/32	144 5 21/32	83 3 9/32	19 0.748	49.2 1.937	83 3 9/32	19 3/4	49 1 15/16	16 5/8	2.5 5.5
	1 1/2	UCT208-24	UC208-24																		
55	1 9/16	UCT208-25	UC208-25	29.1 6542	17.8 4002	114 4 1/2	102 4 1/64	16 5/8	88 3 15/32	33 1 5/16	49 1 15/16	29 1 5/32	144 5 21/32	83 3 9/32	19 0.748	49.2 1.937	83 3 9/32	19 3/4	49 1 15/16	16 5/8	2.5 5.5
		UCT208	UC208																		
60	1 5/8	UCT209-26	UC209-26	34.1 7666	21.3 4788	117 4 19/32	102 4 1/64	16 5/8	87 3 7/16	35 1 3/8	49 1 15/16	29 1 5/32	144 5 21/32	83 3 9/32	19 0.748	49.2 1.937	83 3 9/32	19 3/4	49 1 15/16	16 5/8	2.5 5.5
	1 11/16	UCT209-27	UC209-27																		
65	1 3/4	UCT209-28	UC209-28	34.1 7666	21.3 4788	117 4 19/32	102 4 1/64	16 5/8	87 3 7/16	35 1 3/8	49 1 15/16	29 1 5/32	144 5 21/32	83 3 9/32	19 0.748	49.2 1.937	83 3 9/32	19 3/4	49 1 15/16	16 5/8	2.5 5.5
		UCT209	UC209																		

Continued on next page.

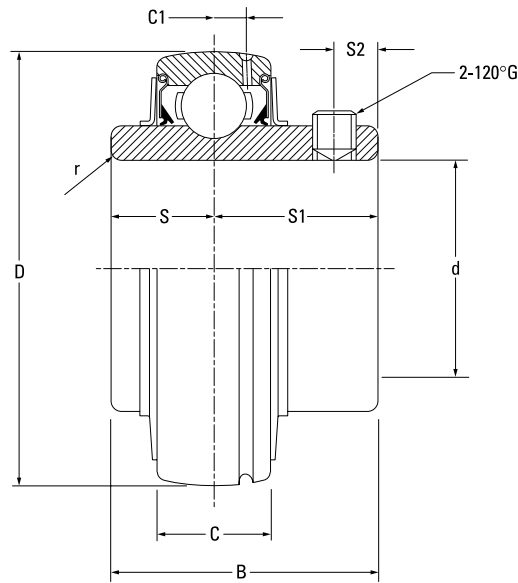


Continued from previous page.

Shaft Dia. d	Take-Up Unit Designation	Bearing Designation	Basic Load Ratings		Dimensions															Weight	
			Dynamic C <sub>r</sub>	Static C <sub>0r</sub>	H	H1	L2	L1	A2	A	N	L	H2	S	B	L3	N1	N2	A1		
mm in.			kN lbs.	kN lbs.	mm in.	mm in.	mm in.	mm in.	mm in.	mm in.	mm in.	mm in.	mm in.	mm in.	mm in.	mm in.	mm in.	mm in.	mm in.	mm in.	kg lbs.
50	1 7/8	UCT210-30	UC210-30	35.1 7891	23.3 5238	117 4 19/32	102 4 1/64	16 5/8	90 3 17/32	37 1 15/32	49 1 15/16	29 1 5/8	149 5 7/8	83 3 3/32	19 0.748	51.6 2.031	86 3 3/8	19 3/4	49 1 15/16	16 5/8	2.6 5.7
	1 15/16	UCT210-31	UC210-31																		
		UCT210	UC210																		
55	2	UCT210-32	UC210-32	43.4 9757	29.4 6609	146 5 3/4	130 5 1/8	19 3/4	106 4 3/16	38 1 1/2	64 2 17/32	35 1 3/8	171 6 23/32	102 4 1/32	22.2 0.874	55.6 2.189	95 3 3/4	25 31/32	64 2 17/32	22 55/64	4.0 8.8
	2	UCT211-32	UC211-32																		
	2 1/8	UCT211-34	UC211-34																		
60	2 3/16	UCT211-35	UC211-35	52.4 11780	36.2 8138	146 5 3/4	130 5 1/8	19 3/4	119 4 11/16	42 1 21/32	64 2 17/32	35 1 3/8	194 7 5/8	102 4 1/32	25.4 1.000	65.1 2.563	102 4 1/32	32 1 1/4	64 2 17/32	22 55/64	4.9 10.8
	2 1/4	UCT212-36	UC212-36																		
		UCT212	UC212																		
65	2 3/8	UCT212-38	UC212-38	57.2 12859	40.1 9015	167 6 9/16	151 5 15/16	21 1 3/16	137 5 13/32	44 1 23/32	70 2 3/4	41 1 5/8	224 8 13/16	111 4 3/8	25.4 1.000	65.1 2.563	121 4 3/4	32 1 1/4	70 2 3/4	26 1 1/32	6.9 15.2
	2 7/16	UCT212-39	UC212-39																		
	2 1/2	UCT213-40	UC213-40																		
70	2 3/4	UCT213-40	UC213-40	62.2 13983	44.1 9914	167 6 9/16	151 5 15/16	21 1 3/16	137 5 13/32	46 1 13/16	70 2 3/4	41 1 5/8	224 8 13/16	111 4 3/8	30.2 1.189	74.6 2.937	121 4 3/4	32 1 1/4	70 2 3/4	26 1 1/32	7.0 15.4
		UCT214-44	UC214-44																		
		UCT214	UC214																		
75	2 15/16	UCT214-44	UC214-44	67.4 15152	48.3 10858	167 6 9/16	151 5 15/16	21 1 3/16	140 5 1/2	48 1 7/8	70 2 3/4	41 1 5/8	232 9 1/8	111 4 3/8	33.3 1.331	77.8 3.063	121 4 3/4	32 1 1/4	70 2 3/4	26 1 1/32	7.3 16.1
		UCT215-47	UC215-47																		
		UCT215	UC215																		
80	3	UCT215-48	UC215-48	72.7 16344	53 11915	184 7 1/4	165 6 1/2	21 1 3/16	140 5 1/2	51 2	70 2 3/4	41 1 5/8	235 9 1/4	111 4 3/8	33.3 1.331	82.6 3.252	121 4 3/4	32 1 1/4	70 2 3/4	26 1 1/32	8.2 18.1
	3 1/8	UCT216-50	UC216-50																		
		UCT216	UC216																		
85	3 1/4	UCT217-52	UC217-52	84 18884	61.9 13916	198 7 25/32	173 6 13/16	29 1 5/32	162 6 3/8	54 2 1/8	73 2 7/8	48 1 7/8	260 10 1/4	124 4 7/8	34.1 1.343	85.7 3.374	157 6 3/16	38 1 1/2	73 2 7/8	30 1 3/16	11 24.3
		UCT217	UC217																		

Shaft Dia. d	Bearing Designation	Basic Load Ratings		Dimensions							Min. Fillet Radius r (min.)	Set Screw Size G	Weight
		Dynamic	Static	D	C	B	S2	C1	S	S1			
		C <sub>r</sub>	C <sub>0r</sub>										
<b>12</b>	UC201												
	1/2 UC201-8											<b>M6×0.75</b>	
<b>15</b>	UC202	<b>12.8</b>	<b>6.65</b>	<b>47</b>	<b>16</b>	<b>31</b>	<b>5</b>	<b>3.9</b>	<b>12.7</b>	<b>18.3</b>	<b>0.6</b>	<b>M6×0.75</b>	<b>0.2</b>
	5/8 UC202-10	2878	1495	1.850	0.630	1.220	0.197	0.153	0.500	0.720	0.024	1/4-28UNF	0.5
<b>17</b>	UC203											<b>M6×0.75</b>	
	3/4 UC204-12											1/4-28UNF	<b>0.2</b>
<b>20</b>	UC204	<b>12.8</b>	<b>6.65</b>	<b>47</b>	<b>16</b>	<b>31</b>	<b>5</b>	<b>3.9</b>	<b>12.7</b>	<b>18.3</b>	<b>1</b>	<b>M6×0.75</b>	<b>0.5</b>
	7/8 UC205-14	2878	1495	1.850	0.630	1.220	0.197	0.153	0.500	0.720	0.039	1/4-28UNF	
<b>25</b>	UC205	<b>14</b>	<b>7.85</b>	<b>52</b>	<b>17</b>	<b>34.1</b>	<b>5.5</b>	<b>4.5</b>	<b>14.3</b>	<b>19.8</b>	<b>1</b>	<b>M6×0.75</b>	<b>0.2</b>
	15/16 UC205-15	3147	1765	2.047	0.669	1.343	0.217	0.177	0.563	0.780	0.039	1/4-28UNF	0.5
	1 UC205-16											1/4-28UNF	
	1 1/8 UC206-18											1/4-28UNF	
<b>30</b>	UC206	<b>19.5</b>	<b>11.3</b>	<b>62</b>	<b>19</b>	<b>38.1</b>	<b>6</b>	<b>5</b>	<b>15.9</b>	<b>22.2</b>	<b>1</b>	<b>M6×0.75</b>	<b>0.3</b>
	1 3/16 UC206-19	4385	2540	2.441	0.748	1.500	0.236	0.197	0.626	0.874	0.039	1/4-28UNF	0.7
	1 1/4 UC206-20											1/4-28UNF	
	1 1/4 UC207-20											5/16-24UNF	
	1 15/16 UC207-21											5/16-24UNF	
	1 3/8 UC207-22	<b>25.7</b>	<b>15.4</b>	<b>72</b>	<b>20</b>	<b>42.9</b>	<b>6.5</b>	<b>5.7</b>	<b>17.5</b>	<b>25.4</b>	<b>1.1</b>	5/16-24UNF	<b>0.5</b>
<b>35</b>	UC207	<b>5778</b>	<b>3462</b>	<b>2.835</b>	<b>0.787</b>	<b>1.689</b>	<b>0.256</b>	<b>0.224</b>	<b>0.689</b>	<b>1.000</b>	<b>0.043</b>	5/16-24UNF	<b>1.1</b>
	1 7/16 UC207-23											<b>M8×1</b>	
	1 1/2 UC208-24											5/16-28UNF	
	1 9/16 UC208-25	<b>29.1</b>	<b>17.8</b>	<b>80</b>	<b>21</b>	<b>49.2</b>	<b>8</b>	<b>5.9</b>	<b>19</b>	<b>30.2</b>	<b>1.1</b>	5/16-24UNF	<b>0.7</b>
<b>40</b>	UC208	<b>6542</b>	<b>4002</b>	<b>3.150</b>	<b>0.827</b>	<b>1.937</b>	<b>0.315</b>	<b>0.232</b>	<b>0.748</b>	<b>1.189</b>	<b>0.043</b>	<b>M8×1</b>	<b>1.5</b>
	1 5/8 UC209-26											5/16-24UNF	
	1 11/16 UC209-27	<b>34.1</b>	<b>21.3</b>	<b>85</b>	<b>22</b>	<b>49.2</b>	<b>8</b>	<b>6</b>	<b>19</b>	<b>30.2</b>	<b>1.1</b>	5/16-24UNF	<b>0.8</b>
	1 3/4 UC209-28	7666	4788	3.346	0.866	1.937	0.315	0.236	0.748	1.189	0.043	5/16-24UNF	1.8
<b>45</b>	UC209											<b>M8×1</b>	

Continued on next page.



Continued from previous page.

Shaft Dia. d	Bearing Designation	Basic Load Ratings		Dimensions								Min. Fillet Radius r (min.)	Set Screw Size G	Weight
		Dynamic C <sub>r</sub>	Static C <sub>0r</sub>	D	C	B	S2	C1	S	S1				
mm in.		kN lbs.	kN lbs.	mm in.	mm in.	mm in.	mm in.	mm in.	mm in.	mm in.	mm in.	mm in.	mm in.	kg lbs.
50	1 7/8 UC210-30	35.1 7891	23.3 5238	90 3.543	24 0.945	51.6 2.031	9 0.354	6 0.236	19 0.748	32.6 1.283	1.1 0.043	3/8-24UNF	0.9	
	1 15/16 UC210-31											3/8-24UNF		
	UC210											M10x1.25		
55	2 UC210-32	43.4 9757	29.4 6609	100 3.937	25 0.984	55.6 2.189	9 0.354	7 0.276	22.2 0.874	33.4 1.315	1.5 0.059	3/8-24UNF	1.3	
	2 UC211-32											3/8-24UNF		
	2 1/8 UC211-34											3/8-24UNF		
60	2 3/16 UC211-35	52.4 11780	36.2 8138	110 4.331	27 1.063	65.1 2.563	10.5 0.413	7.4 0.291	25.4 1.000	39.7 1.563	1.5 0.059	M10x1.25	1.7	
	UC211											3/8-24UNF		
	2 1/4 UC212-36											3/8-24UNF		
65	2 7/16 UC212-38	57.2 12859	40.1 9015	120 4.724	28 1.102	65.1 2.563	12 0.472	7.5 0.295	25.4 1.000	39.7 1.563	1.5 0.059	1/2-20UNF	1.9	
	UC213											M12x1.5		
	2 1/2 UC213-40											1/2-20UNF		
70	UC214	62.2 13983	44.1 9914	125 4.921	30 1.181	74.6 2.937	12 0.472	9 0.354	30.2 1.189	44.4 1.748	1.5 0.059	1/2-20UNF	2.1	
	2 3/4 UC214-44											M12x1.5		
	UC214											1/2-20UNF		
75	2 15/16 UC215-47	67.4 15152	48.3 10858	130 5.118	32 1.260	77.8 3.063	12 0.472	9 0.354	33.3 1.311	44.5 1.752	1.5 0.059	1/2-20UNF	2.2	
	UC215											M12x1.5		
	3 UC215-48											1/2-20UNF		
80	3 1/8 UC216-50	72.7 16344	53 11915	140 5.512	33 1.299	82.6 3.252	14 0.551	8.9 0.350	33.3 1.311	49.3 1.941	2 0.079	1/2-20UNF	2.8	
	UC216											M12x1.5		
	3 1/4 UC216-52											1/2-20UNF		
85	UC217	84 18884	61.9 13916	150 5.906	35 1.378	85.7 3.374	14 0.551	9.8 0.386	34.1 1.343	51.6 2.031	2 0.079	1/2-20UNF	3.7	
	UC217											M12x1.5		
	3 1/2 UC218-56											1/2-20UNF		
90	UC218	96.1 21604	71.5 16074	160 6.299	38 1.496	96 3.780	15 0.591	11.1 0.437	39.7 1.563	56.3 2.217	2 0.079	M12x1.5	4.5 9.9	

**TURNUP**